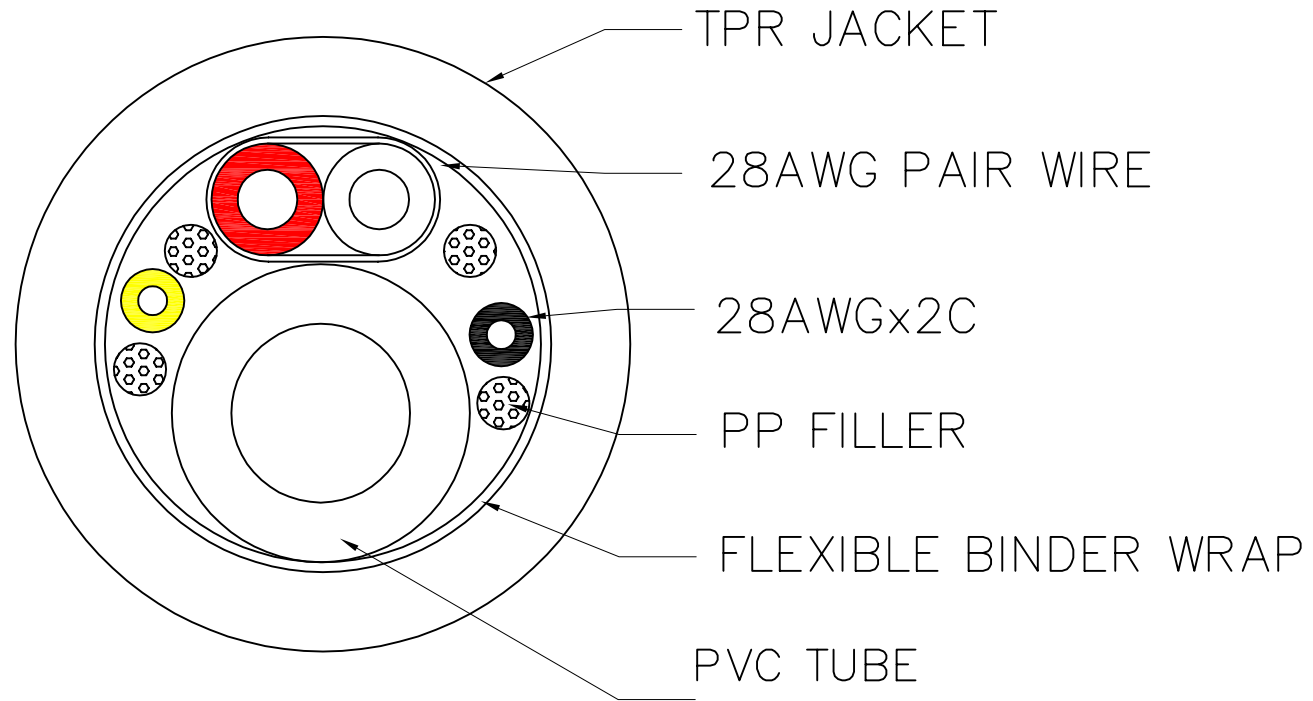


UNLESS OTHERWISE SPECIFIED
DIMENSIONS ARE IN MM



				DRAWN BY	Bruce	DATE	2021/05/20	 三元科技（深圳）有限公司 SUN-ROUND TECHNOLOGY (SHENZHEN) CO., LTD			
				CKD.BY	FENGBIN	DATE	2021/05/20				
1	INITIAL RELEASE	F.B	2021/03/09	ENG.APPR.	FENGBIN	DATE	2021/05/20	TITLE	28AWGx(1P+2C)		
REV.	DESCRIPTION	APPR.BY	DATE	DWG.NO.	D106-21						
REVISION HISTORY				SCALE	NONE	SIZE	A4	REV.	2	SHEET	1 OF 1